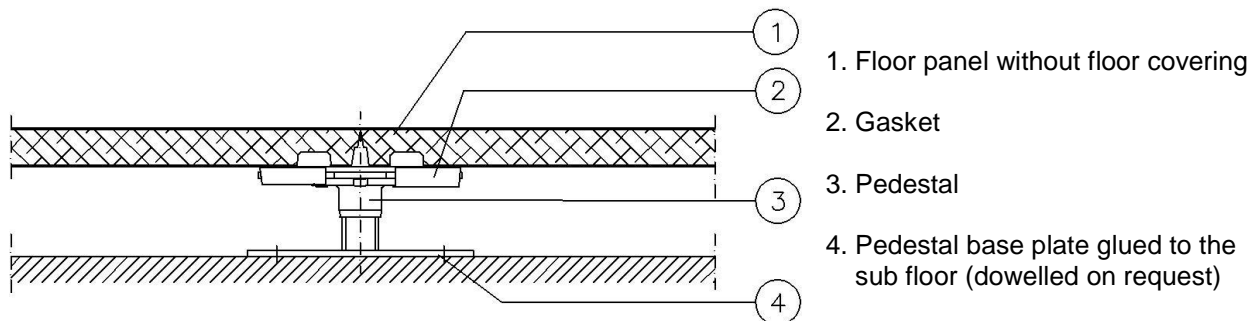


Technical Data	Low-Height-Access Floor	
-----------------------	--------------------------------	--



- 1. Floor panel without floor covering
- 2. Gasket
- 3. Pedestal
- 4. Pedestal base plate glued to the sub floor (dowelled on request)

Panel:

Dimension: 600 x 600 mm
 Panel thickness: ~ 17 mm
 Panel surface: steel sheet
 Panel underside: steel sheet
 System weight: ~ 40 kg/m²
 (without floor covering, floor height ~ 250 mm)
 Panel weight: ~ 13,5 kg/piece
 Panel material: fibre-reinforced calcium sulphate with steel application on top and bottom

Understructure:

Module: 600 x 600 mm
 Pedestal material: galvanized steel pedestals
 Construction height: (without floor covering) ~ 40 mm

Load values:

Point load: 2.000 N
 Load class according to EN 12825: class 1
 Ultimate load: ≥ 4.000 N
 Safety factor: ≥ 2,0

Electrostatic:

> 10⁵ Ohm
 (Depending on systems and floor covering)

Fire protection:

Building material class acc. to EN 13501 T1: A1
 Fire resistance class acc. to DIN 4102 T2: up to a construction height of 220 mm not necessary

Thermal conductivity: (base material)

~ 0,44 W/mK